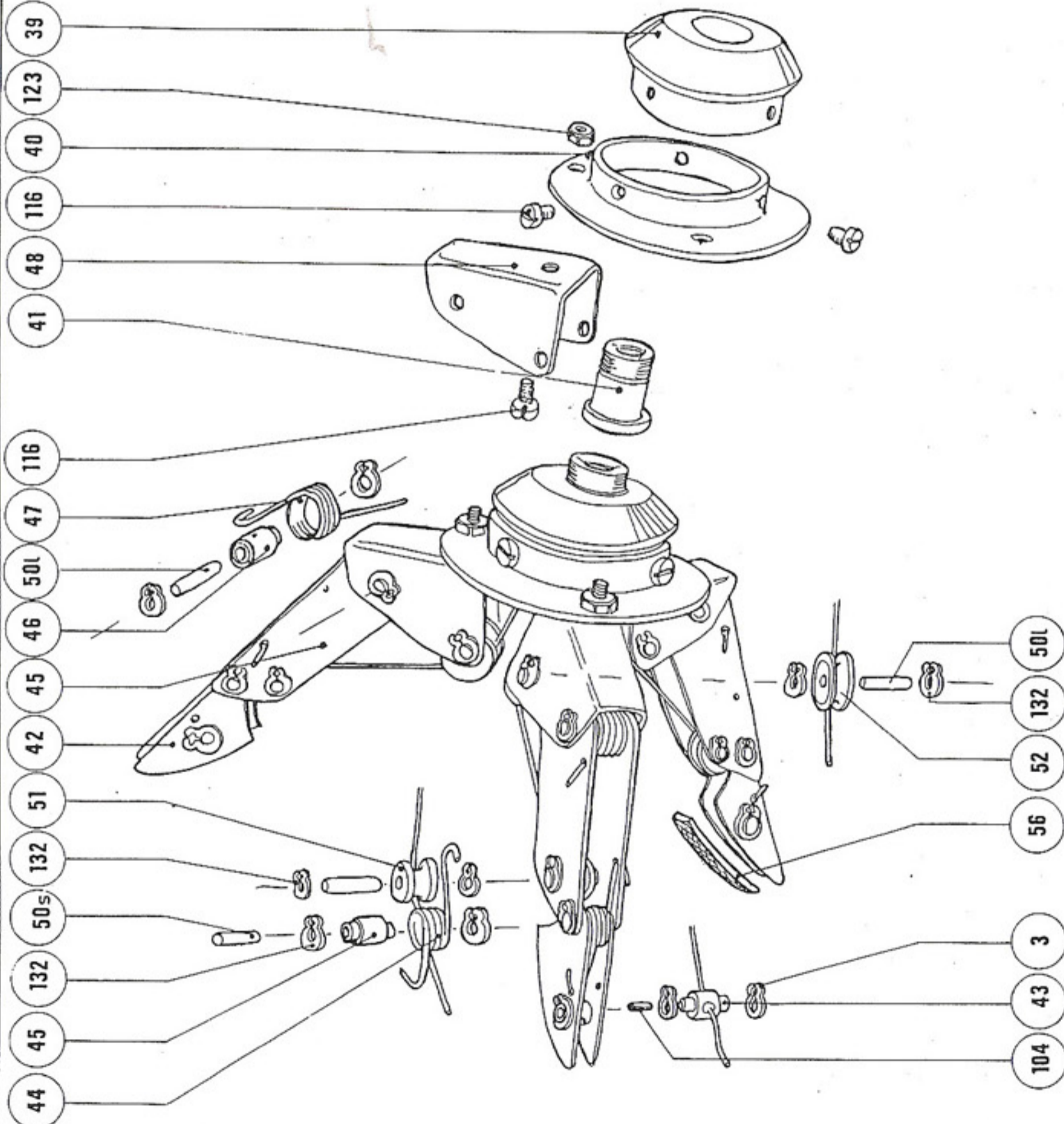


METAL WASHERS (FOR SPACING) INDIVIDUAL THICKNESS = 1

DRAWING NUMBER
A2/ /

BILL OF MATERIAL

NO	ITEM	QTY	MAT'L	DESCRIPTION	REMARKS



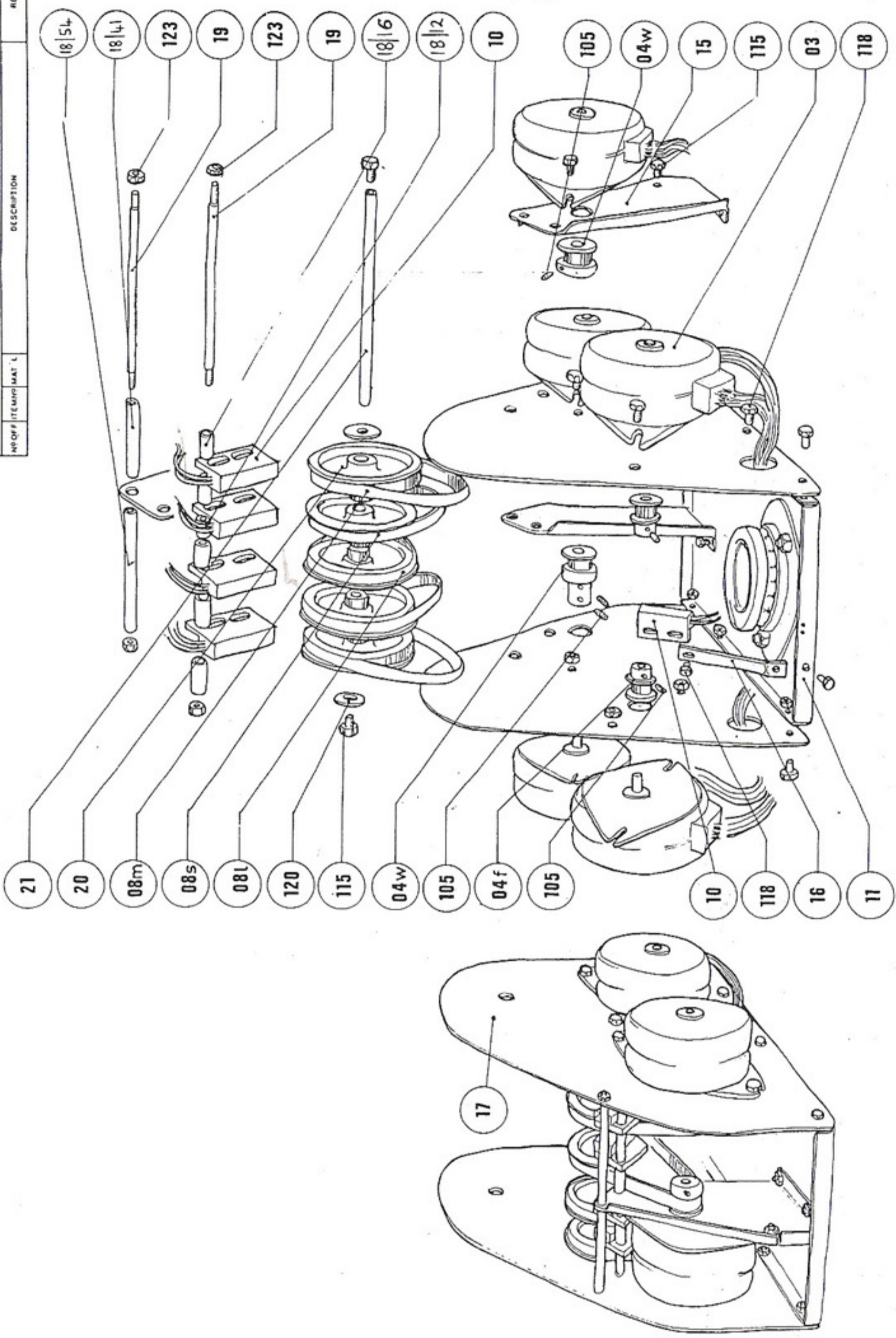
A2/RB1 / 4

DESIGNED DRAWN CHECKED APPROVED APPROVED	AUTH. NO. PROJECT NO. WORK ORDER NO. SCALE	PRINT ISSUED	DATE DRAWN	DRAWING NUMBER A2/RB1/4
		DEPARTMENT COLNE ROBOTICS		
REFERENCE DRAWING				
NO	DATE	DESCRIPTION	MADE BY	CHECKED BY
REVISIONS				

DRAWING NUMBER
A2 / 1

BILL OF MATERIAL

NO OF ITEM	MAT L	DESCRIPTION	REMARKS
------------	-------	-------------	---------



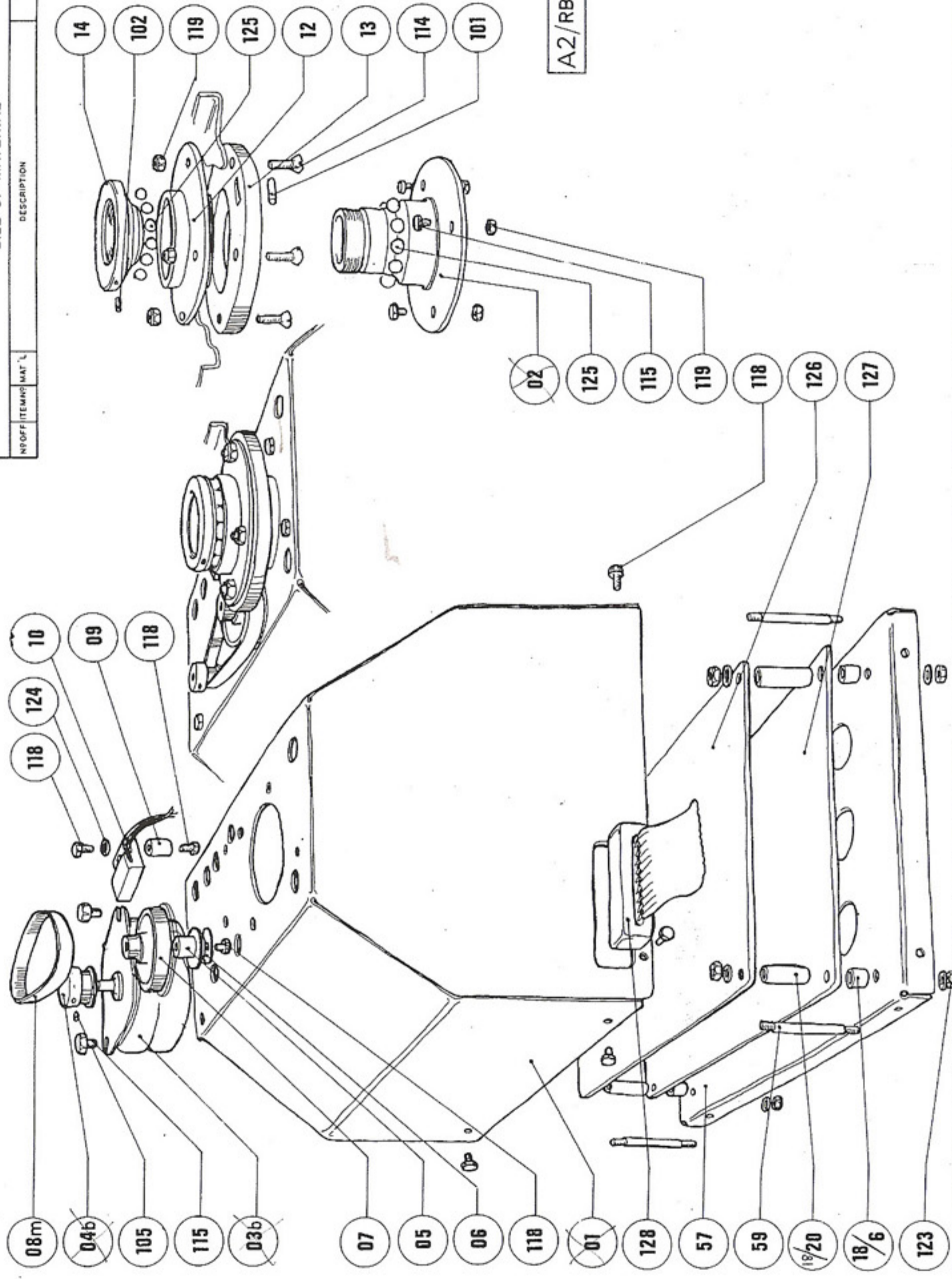
AUTH. NO.		DESIGNED		PRINT ISSUED	
PROJECT NO.		DRAWN		DATE	
WORK ORDER NO.		CHECKED		DRAWN	
SCALE		APPROVED		DRAWING NUMBER	
REVISIONS		APPROVED		A2/RB1/2	
NO.	DATE	DESCRIPTION	MADE BY	DEPARTMENT	
				COLNE ROBOTICS	
				REFERENCE DRAWING	

DRAWING NUMBER
A2 /

NO OFF ITEMS MAY L

DESCRIPTION

REMARKS

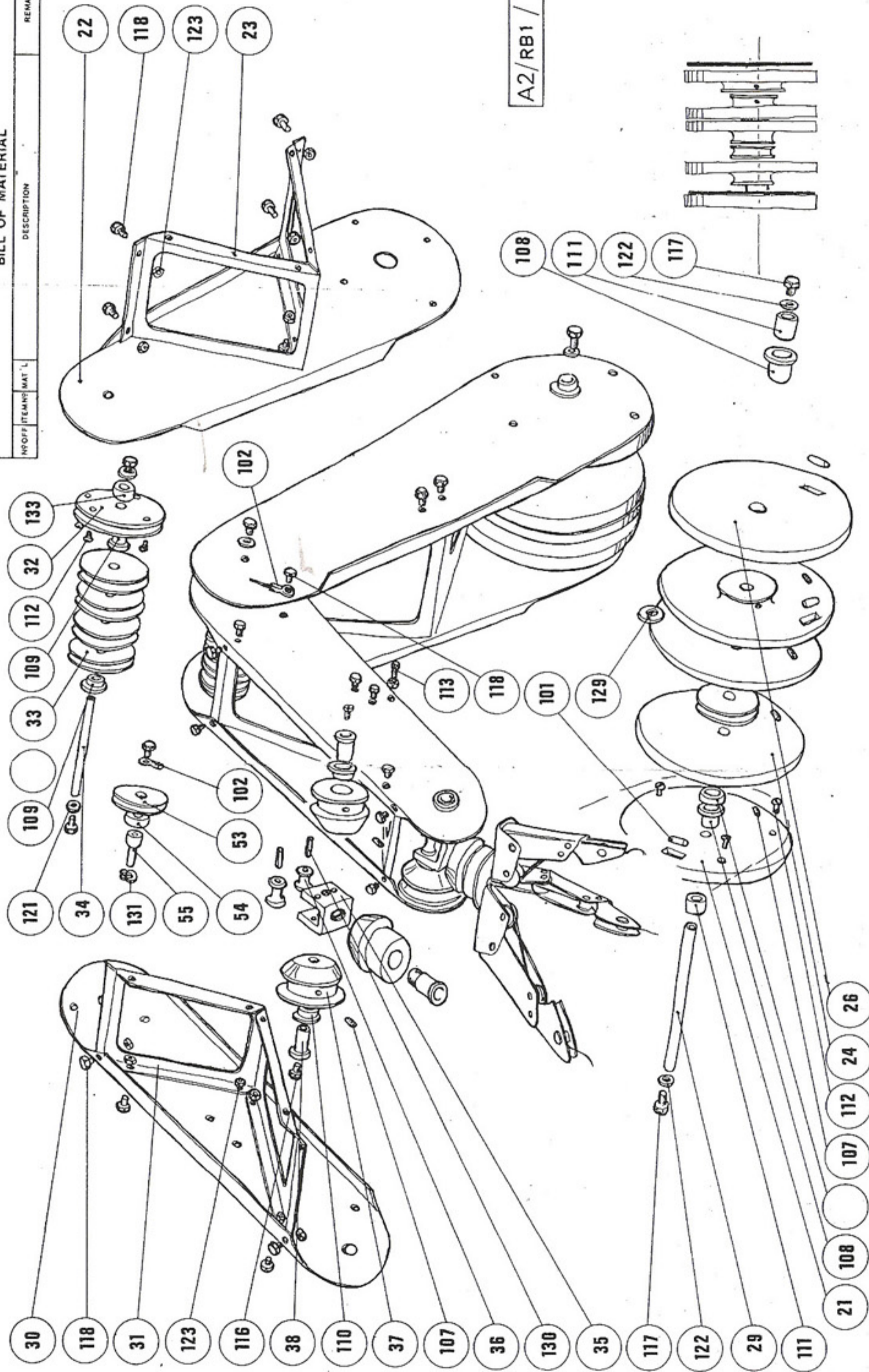


DESIGNED		AUTH. NO.	
DRAWN		PROJECT NO.	
CHECKED		WORK ORDER NO.	
APPROVED		SCALE	
APPROVED		REFERENCE DRAWING	
PRINT	ISSUED	MADE BY	CHECKED BY
DATE	DRAWN	NO.	DATE
DEPARTMENT		REVISIONS	
COLNE ROBOTICS		DRAWING NUMBER	
A2/RB1 / 1		A2/RB1 / 1	

DRAWING NUMBER
A2 / 1

BILL OF MATERIAL

NO OFF ITEMS MAT L DESCRIPTION REMARKS



A2/RB1 / 3

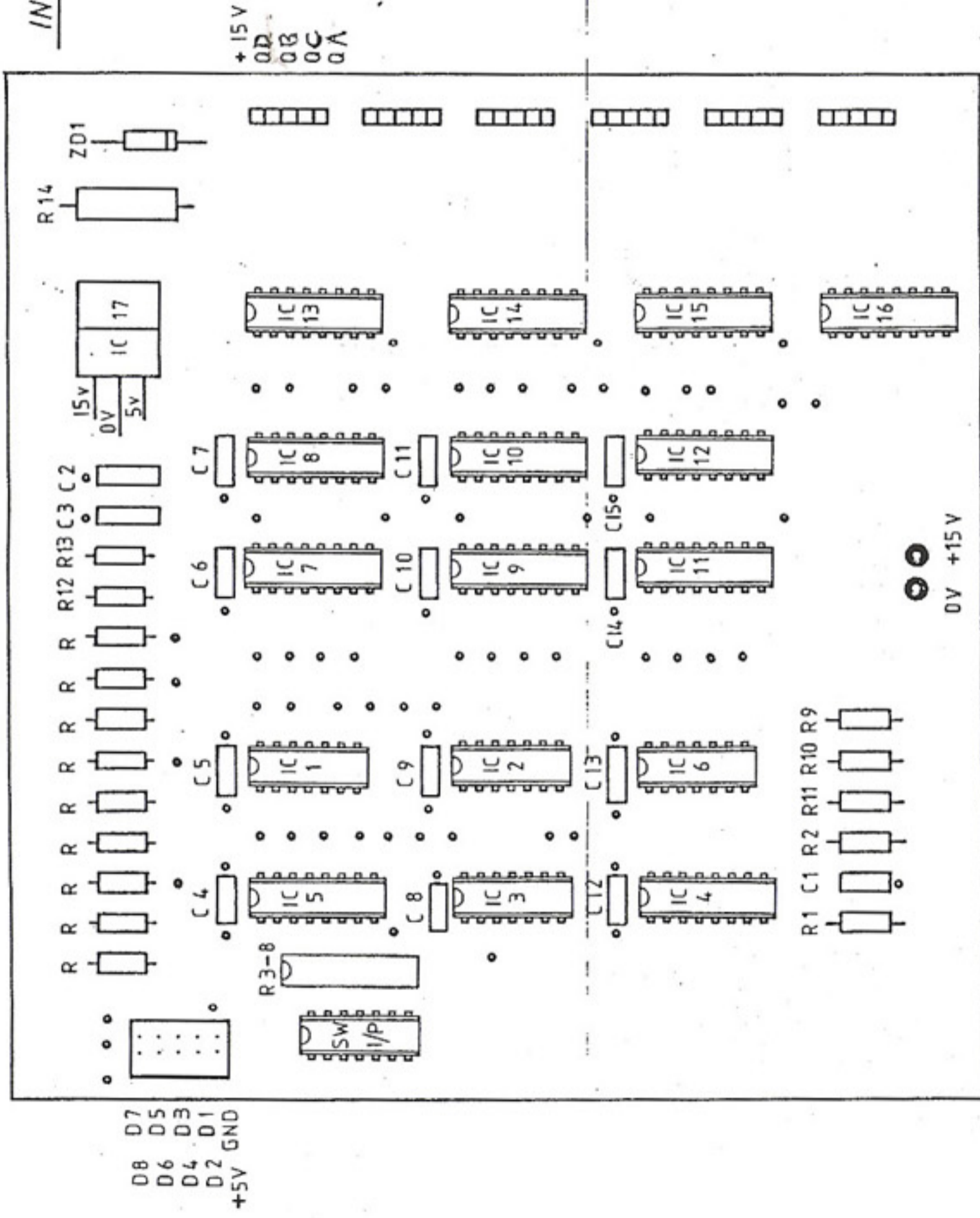
30	118	31	123	116	38	110	37	107	36	130	35	117	122	29	111
121	109	33	109	112	32	133	102	53	102	54	55	131	34	109	108
108	111	122	117	108	111	122	117	108	111	122	117	108	111	122	117

PRINT ISSUED	DATE	DEPARTMENT	DESIGNED	AUTH. No.
DRAWN	CHECKED	APPROVED	PROJECT No.	WORK ORDER No.
DRAWING NUMBER	SCALE	REFERENCE DRAWING	APPROVED	SCALE
A2/RB1/3				

COLNE ROBOTICS

DEPARTMENT 2117

INTERFACE BOARD OVERLAY



- IC 1-2 : 74LS125
- IC 3 : 74LS04
- IC 4 : 74LS123
- IC 5 : 74LS366
- IC 6 : 74LS138
- IC 7-12 : 74LS175
- IC 13-16 : ULN2003A
- R 1 - 1K
- R 2 & 13 - 10K
- R 3-8 - 2K2
- R 9-11 - 1K8
- R 12 - 15K
- R 14 - 18 oh 5W
- C 1 - 100pF
- C 2 - 1µF
- C 3 - 10nF
- C 4-15 - 10nF
- ZD 1 - 13V
- IC 17 : UA7805

NOTE
 IC 5 used only with reed switches : SW
 thru pins

COLNE ROBOTICS CO. LTD.